

Introduction

The 4" deep Model 224 is the solution when limited space is available. The 224 is designed to fit within standard wall joists, yet still provides the same features found in our 227 Black-Out™. This unit is available in both a framed and unframed version.

Construction

- Interior use only
- Extruded aluminum frame
- Frame: 3/8" face, 4" depth
- 1/4" Greylite 14% glazing
- High output cool white fluorescent illumination
- Concealed hinges and locking system
- 3" header with copy

Namestrips

Engraved:

- 3/8"H x 7", 11 "W
- 1/2"H x 7", 11 "W
- 5/8"H x 7", 11 "W
- 3/4"H x 11", 18"W
- 1"H x 11", 18"W

Imprinted Namestrip Service 5 to 7 days.

Finishes

- Satin Anodized
- Black Anodized
- Dark Bronze Anodized
- Satin Bronze Plated
- Mirror Bronze Plated
- Bright Chrome Plated

Graphics

Film Carriers for Maps, Logos, Color Photo Transparencies, Duraclears.

Options

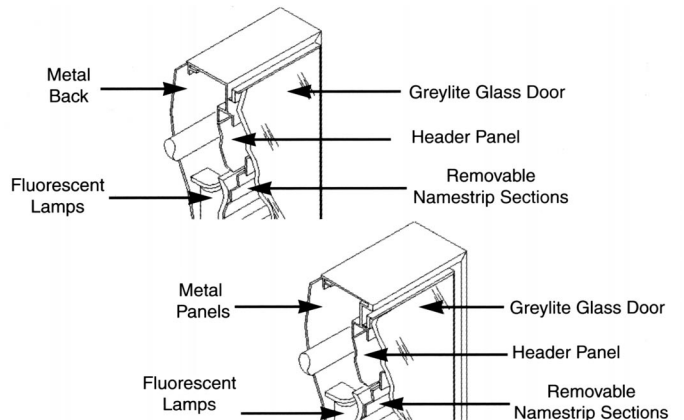
- Unframed version
- Semi or fully recessed mounting
- Recess mounting lips in aluminum, bronze & stainless steel
- Pedestal bases
- Custom enclosures
- Film strips

Sizes & Capacities

No. of Sections	3/8" Strip Capacity	Overall Width 7" Section	Overall Width 11" Section
2	120	19-7/8"	26-7/8"
3	180	27-3/8"	37-7/8"
4	240	34-7/8"	48-7/8"
5	300	42-3/8"	59-7/8"
6	360	49-7/8"	70-7/8"
8	480	64-7/8"	—
10	600	79-7/8"	—

Standard Frame Height is 36"
Optional Heights 26" & 48"

Construction Detail



Cadillac Graphics Inc. Since 1947
mfg. Architectural Signage

4521 N.E. 5th Terrace • Fort Lauderdale, FL 33334
Phone (800) 238-4444 • (954) 772-2440 • Fax (954) 772-5567



Introduction

The Black-Out™ Directory System offers a spectacular visual effect. The unique floating graphic effect is achieved through a union of rear illumination, a patented namestrip holder and Greylite glazing. Manufactured to meet a wide variety of applications and finishes, the BlackOut™ will enhance any environment.

Construction

- Interior use only
- Extruded aluminum frame
- Frame: 3/8" face, 6" depth
- 1/4" Greylite 14% glazing
- High output cool white fluorescent illumination
- Concealed hinges and locking system
- 3" header with copy

Namestrips

Engraved:

- 3/8"H x 7", 11 "W
- 1/2"H x 7", 11 "W
- 5/8"H x 7", 11 "W
- 3/4"H x 11", 18"W
- 1 "H x 11", 18"W

Imprinted Namestrip Service 5 to 7 days.

Finishes

- Satin Anodized
- Black Anodized
- Dark Bronze Anodized
- Satin Bronze Plated
- Mirror Bronze Plated
- Bright Chrome Plated

Graphics

Film Carriers for Maps, Logos, Color Photo Transparencies, Duraclears.

Options

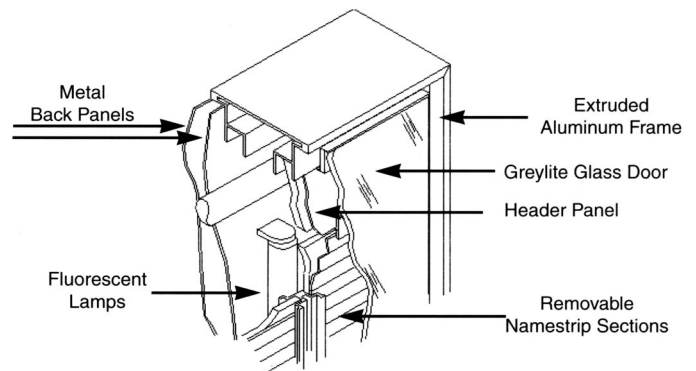
- Semi or fully recessed mounting
- Recess mounting lips in aluminum, bronze & stainless steel
- Pedestal bases
- Custom enclosures
- Film strips

Sizes & Capacities

No. of Sections	3/8" Strip Capacity	Overall Width 7" Section	Overall Width 11" Section	3/4" Strip Capacity	Overall Width 18" Section
2	120	19-7/8"	26-7/8"	60	40-7/8"
3	180	27-3/8"	37-7/8"	90	58-7/8"
4	240	34-7/8"	48-7/8"	120	76-7/8"
5	300	42-3/8"	59-7/8"	150	94-7/8"
6	360	49-7/8"	70-7/8"	—	—
8	480	64-7/8"	—	—	—
10	600	79-7/8"	—	—	—

Standard Frame Height is 36"
Optional Heights 26" & 48"

Construction Detail



Patent No. 4, 364, 616

Cadillac Graphics Inc. Since 1947
mfg. Architectural Signage

4521 N.E. 5th Terrace • Fort Lauderdale, FL 33334
Phone (800) 238-4444 • (954) 772-2440 • Fax (954) 772-5567